

TECHNICAL DATA

Weight:	255 kg
Grill Rack size:	530 x 764 mm
Capacity:	30 kg meat / h
Working temperature:	250 - 350 °C
Av. daily charcoal cons.:	8 - 12 kg
Power:	7,5 kW
Exhaust rate:	3.400 m3/h
Max. smoke flow:	12,5 g/s

STANDARD EQUIPMENT

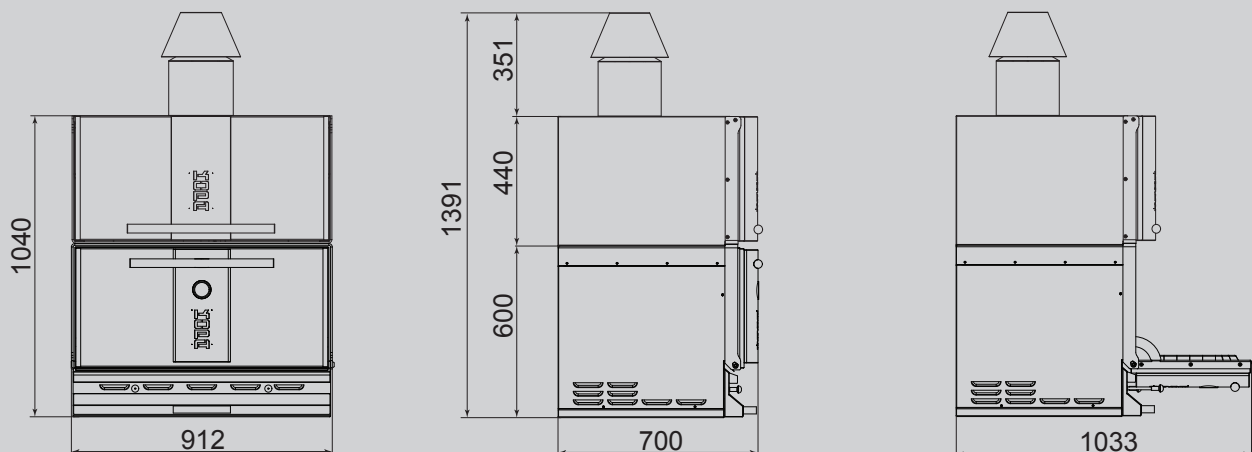
Firebreak
 Firebreak Hood
 Grill Rack x 2
 Tong
 Ash Drawer
 Hot cupboard with shelf

OPTIONAL EQUIPMENT

Additional Grill Rack
 Additional Tong
 Brush



TECHNICAL DRAWINGS



Available in these colors:



Red



Black



Brown



Shiny metal and gold*
 *surcharge